

# merlin

## SLIMLINE PLUS



The Slimline plus+ slots nicely between the Slimline and the Midline. Whilst sharing the same height, the new Merlin Slimline plus has extra width and can be refuelled with standard sized logs as well as being able to burn approved smokeless fuels. It can be that final puzzle piece to a warm, cosy home.

Merlin Stoves are different in every sense, not only in performance and efficiency but also in stylish good looks.

Contemporary or traditional, Merlin Stoves are noticeably different. There is one single door to clearly see more. It is a dust free clean design, without fussy details.

All our stoves are built with Merlin's patent pending **Rapid Air Movement** technology. Unlike other stoves, heat is delivered to the room in seconds after

lighting. Straightforward controls mean regulating and maintaining the desired temperature is simple.

The stove's twin-skinned insulated jacket ensures heat is accumulated and maintained within the stove body for hours after shutdown.

The Merlin range of multifuel stoves is revolutionary in all respects, and brings a whole new way of thinking when it comes down to natural conventional heating!

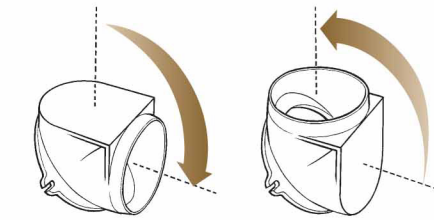


British Designed  
and Manufactured

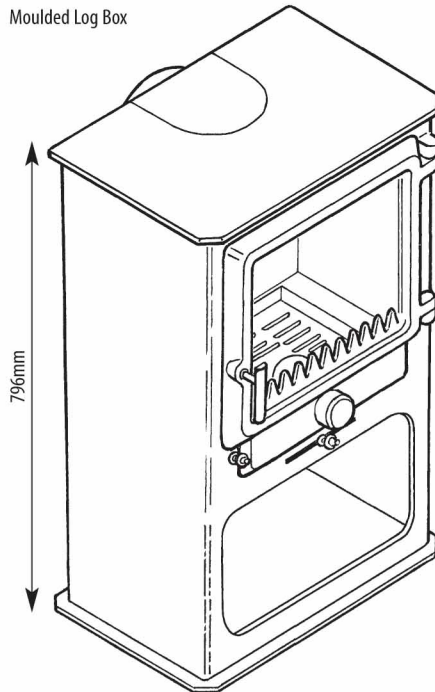
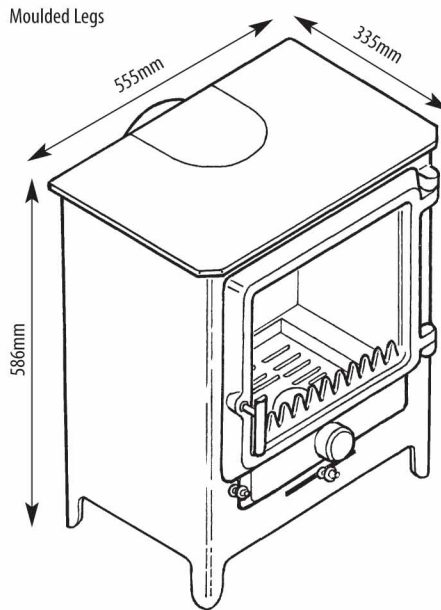
**Advanced Technology *kept simple***

slimline plus

# merlin SLIMLINE PLUS



SWIVEL FLUE- One piece component (150mm diameter)



Merlin Stoves Ltd has a policy of continuous product improvement and reserves the right to change design and specifications without notice.

## Features

- Multifuel capability – Burns both coal and wood.
- Clean cut British design – No dust traps.
- Optimum performance with high efficiency – Environmentally friendly.
- Patented (p) airflow system, ultra clean combustion and clear glass – Unique design.
- Large firebox capacity – Extended burn time capability.
- Fast effective high/low temperature control – User friendly.
- One piece swivel flue component for top or rear exit – Installer friendly.
- Dual chamber construction – Retains the heat for longer.
- Large durable stainless steel ash pan – Less cleaning, longer lasting.
- Fully adjustable legs or log box – Installer friendly.
- Merlin stoves are Approved Stoves and can be installed on a 12mm superimposed hearth – Installer friendly.
- Baffle plate can be removed without disturbing the firebricks – chimney sweep friendly.
- Main body carries a full lifetime guarantee. All other parts are replaceable or fully serviceable.

## Upon request

- Boilers for hot water and central heating.
- Wide selection of colours including Honey-Glo Brown, Shimmering Rose and Almond.
- Door handle and knobs available to match body colour or in Chrome or Brass.
- Log Box.
- Additional options and accessories on request.

## Specifications

### Model

Slimline Plus

### Width

555mm

### Height

586mm (with moulded legs)  
796mm (with moulded log box)

### Depth

335mm

### Heat Output

Up to 7kW  
(4.5kW nominal tested)  
No air brick required

**Merlin Stoves Ltd**, Foregates,  
Holmer, Hereford HR4 9RJ England

T 01432 360016 F 01432 261116

E: sales@merlinstoves.co.uk

www.merlinstoves.co.uk

